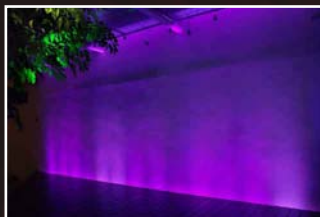


6

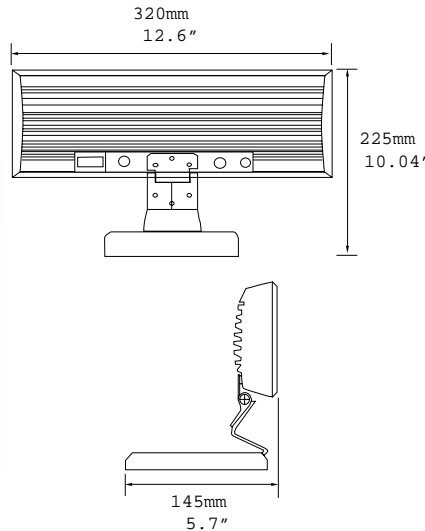
IMPACT LIGHTING INC'S LED FLOOD LIGHT SERIES™



LED Flood voltage free standing full spectrum, red, green, and blue (RGB) light emitting diode (LED) fixture with a self contained auto switching power supply. It is capable of 16 million colors and is fully controllable by DMX. Color effects include static colors, cross fade, chasing and single color rotation. The sealed housing is constructed of cast aluminum alloy. The position of the fixture can be set in a range of 0-180 degrees. The beam angle of the fixture is 45 degrees. Full color mixing is achieved by varying intensity of each primary color. Up to 16.7 million colors can be produced. This Wall Washer Flood uses high quality, high brightness, LEDs as the light source. LED Flood circuitry is engineered to optimize both LED life and performance.

LED FLOOD LIGHT SERIES

TECHNICAL SPECIFICATIONS

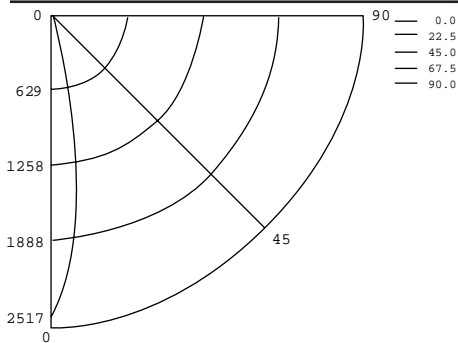


PART NUMBER: IL-LED-FL-1

SPECIFICATIONS

COLOR RANGE:	DIFFERENT BRIGHTNESS OF RED, GREEN AND BLUE COMBINED TO PRODUCE OVER
LIGHT SOURCE:	HIGH BRIGHTNESS LED'S (CONSISTS OF 360 LED'S)
BEAM ANGLE:	25°
FIXTURE SPACING:	10' (3M)
CONTROL SYSTEM:	DMX512
HOUSING MATERIAL:	CAST ALUMINUM ALLOY
CONNECTOR:	STANDARD 3 PIN XLR CONNECTOR
WEIGHT:	9LBS (4.1KG)
LENS:	CLEAR FLAT GLASS WITH FROSTED BOTTOM
OPERATING TEMP:	-4°F TO 104°F (-20C TO 40C)
DIMENSIONS:	L320MM X W145MMX H225MM (L 12.6" X W5.7" X H10.04")
REGULAR WORKING VOLTAGE:	AC90-264V
REGULAR CURRENT:	MAX3A
REGULAR WATTAGE:	25W
WARRANTY:	1 YEAR
IP RATING:	IP65

PHOTOMETRICS



NUMBER OF LAMPS:	1	zones	lumens	% lamp
LUMENS PER LAMP:	410	0-30	341	83
INPUT WATTS:	28	0-40	367	90
DISTRIBUTION:	DIRECT	0-60	396	97
SYMMETRY:	QUADRILATERAL	0-90	410	100
PHOTOMETRIC TYPE:	TYPE C	90-120	0	0
LUMINOUS SHAPE:	RECTANGULAR	90-150	0	0
UNITS:	FEET	90-180	0	0
		0-180	410	100

LUMINOUS DIMENSION:

0-180 AXIS:	1.01
90-270 AXIS:	0.41
HEIGHT:	0.00
SPACING CRITERIA(0):	0.32
SPACING CRITERIA(90):	0.31
SPACING CRITERIA (4 LUMINAIRES):	0.33

COLOR MODES:

STATIC DISPLAY:	CAPABLE OF 16 MILLION COLORS
FLASHING CHANGE:	COLOR TRANSITION FROM HIGH BRIGHTNESS TO LOW BRIGHTNESS
CROSS FADE:	COLORS ALTERNATE
COLOR CHASE:	COLORS CHASE ONE ANOTHER
AUTO COLOR ROTATION :	COLORS ROTATE AUTOMATICALLY WITHOUT DMX APPLIED



ACCESSORIES

IL-DMX-CONTROL-SUN

SUNLIGHT DMX PROGRAMMABLE CONTROLLER*

IL-DMX-CONTROL-SUN-AD

ADVANCED SUNLIGHT DMX PROGRAMMABLE CONTROLLER*

IL-DMX-CABLE- 3 PIN DMX CABLE - 5FT. IL-DMX-CABLE- 3 PIN DMX CABLE - 10FT.
 IL-DMX-CABLE- 3 PIN DMX CABLE - 25FT. IL-DMX-CABLE- 3 PIN DMX CABLE - 50FT.
 IL-DMX-CABLE- 3 PIN DMX CABLE - 75FT. IL-DMX-CABLE- 3 PIN DMX CABLE - 100FT

*FOR DMX AND MORE CONTROLLER OPTION PLEASE GO TO CONTROLLER SECTION OF CATALOG.