



26

**IMPACT LIGHTING INC'S
FIBER OPTIC CABLES**

SIDE EMITTING LIGHT

SPECIFICATION FEATURES

Construction:

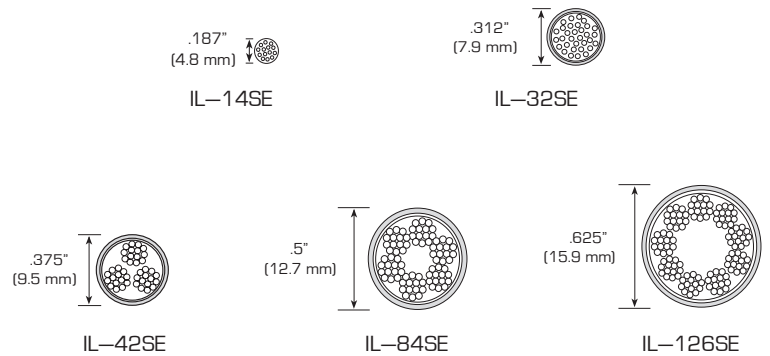
SIDE EMITTING LIGHT cable is constructed of .030"/0.75mm diameter PMMA acrylic optical fibers of twisted sub-bundles twisted (sv42, sv84, sv126 only) within a flexible clear jacket. The fibers are twisted around a highly reflective PVC internal core that offers flexible stability with maximum light output.

Size:

(The cable diameter is determined by fiber quantity)

- 14 fibers: .187" (4.8 mm)
- 32 fibers: .312" (7.9 mm)
- 42 fibers: .375" (9.5 mm)
- 84 fibers: .5" (12.7 mm)
- 126 fibers: .625" (15.9 mm)

Warranty: 2 years



END EMITTING LIGHT

DESCRIPTION:

END EMITTING LIGHT is ideal for use with architectural lighting fixtures, landscape fixtures, water-tight lenses, feature lights, and adaptable for EndGlow® signage.

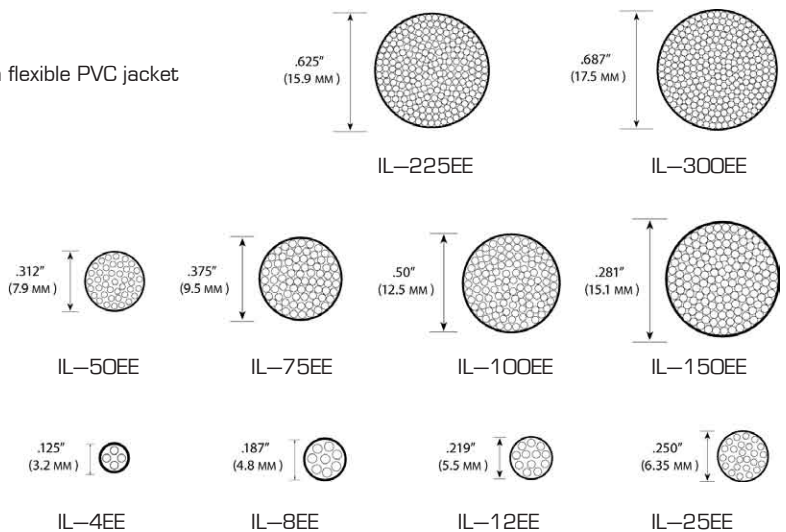
Construction:

END EMITTING LIGHT cable is multi-strand fibers protected in a flexible PVC jacket for ease of handling and fiber protection.

Cabling:

Diameters are based on fiber quantity:

- 4 fibers: .125" (3.2mm)
- 8 fibers: .187" (4.8mm)
- 12 fibers: .219" (5.5mm)
- 25 fibers: .25" (6.35mm)
- 50 fibers: .312" (7.9mm)
- 75 fibers: .375" (9.5mm)
- 10 fibers: .5" (12.5mm)
- 150 fibers: .281" (15.1mm)
- 225 fibers: .625" (15.9mm)
- 300 fibers: .687" (17.5mm)



END POINT LIGHT

DESCRIPTION:

END POINT LIGHT is ideal for use with architectural lighting fixtures, landscape fixtures, water-tight lenses, feature lights, and adaptable for END POINT LIGHT signage.

Construction:

PMMA acrylic

